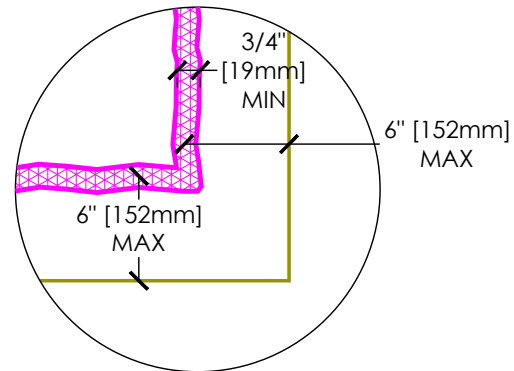
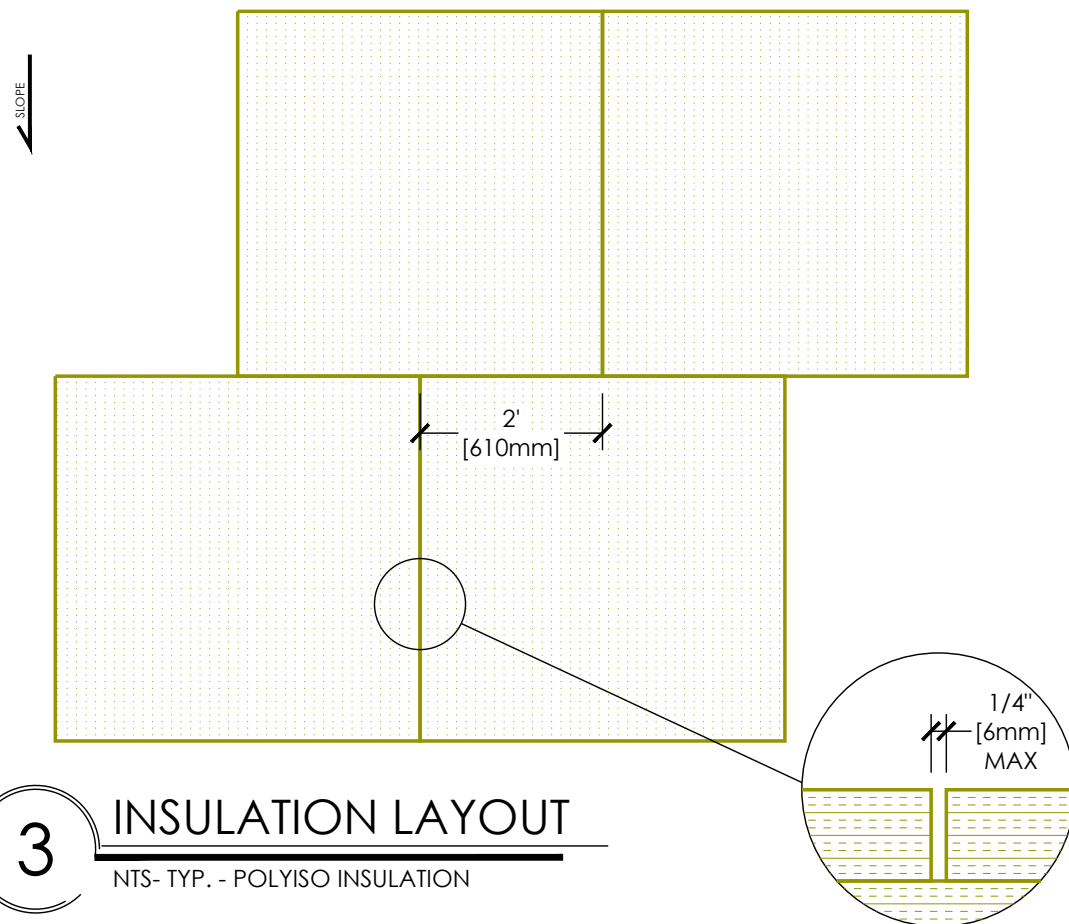


1 INSULATION ZONE 1
NTS



2 TYP. BOARD CORNER
NTS



3 INSULATION LAYOUT
NTS- TYP. - POLYISO INSULATION

NOTE: MAX BOARD SIZE IS 4' [1219mm] BY 4' [1219mm]. MAX ALLOWABLE GAP BETWEEN BOARDS IS 1/4" [6mm]. STAG. BOARDS BETWEEN ROWS APPROXIMATELY 24" [610mm].

GENERAL NOTES

- FOR THE INSULATION BALLAST EACH BOARD WITH A MIN OF FOUR 40 LB [18KG] BALLASTS.
- APPLY ONE 3/4" [19mm] BEAD OF ADHESIVE AROUND THE ENTIRE PERIMETER OF THE BOARD 6" [152mm] IN FROM THE EDGE OF THE BOARD.

KEY NOTES

INSULATION:
FIELD & PERIMETER OF THE ROOF
(ZONE 1)

- APPLY TWO ADDITIONAL 3/4" [19mm] BEADS RUNNING LENGTHWISE AND SPACED EQUALLY OVER THE WIDTH OF THE BOARD, (12" [305mm] SPACING ± 1-1/2" [38mm]).

RMIS ENGINEERING



389 MAXWELL CRESCENT
Regina, SK S4N 5X9
www.rmiseng.ca
Phone 306.352.4606
Fax 306.352.4607



LIVING PRAIRIE
MUSEUM
C.13.SK.35-18.03.03

2795 NESS AVENUE
WINNIPEG, MB R3J 3S4

CITY OF WINNIPEG

4TH FLOOR - 135 KING STREET
WINNIPEG, MB R3B 1J1

No.	DATE	DESCRIPTION

DESIGNED BY SMC 04/18/2018
DRAWN BY SED 04/18/2018
REVIEWED BY SMC 04/18/2018

INSULATION
DETAILS

A 4.01